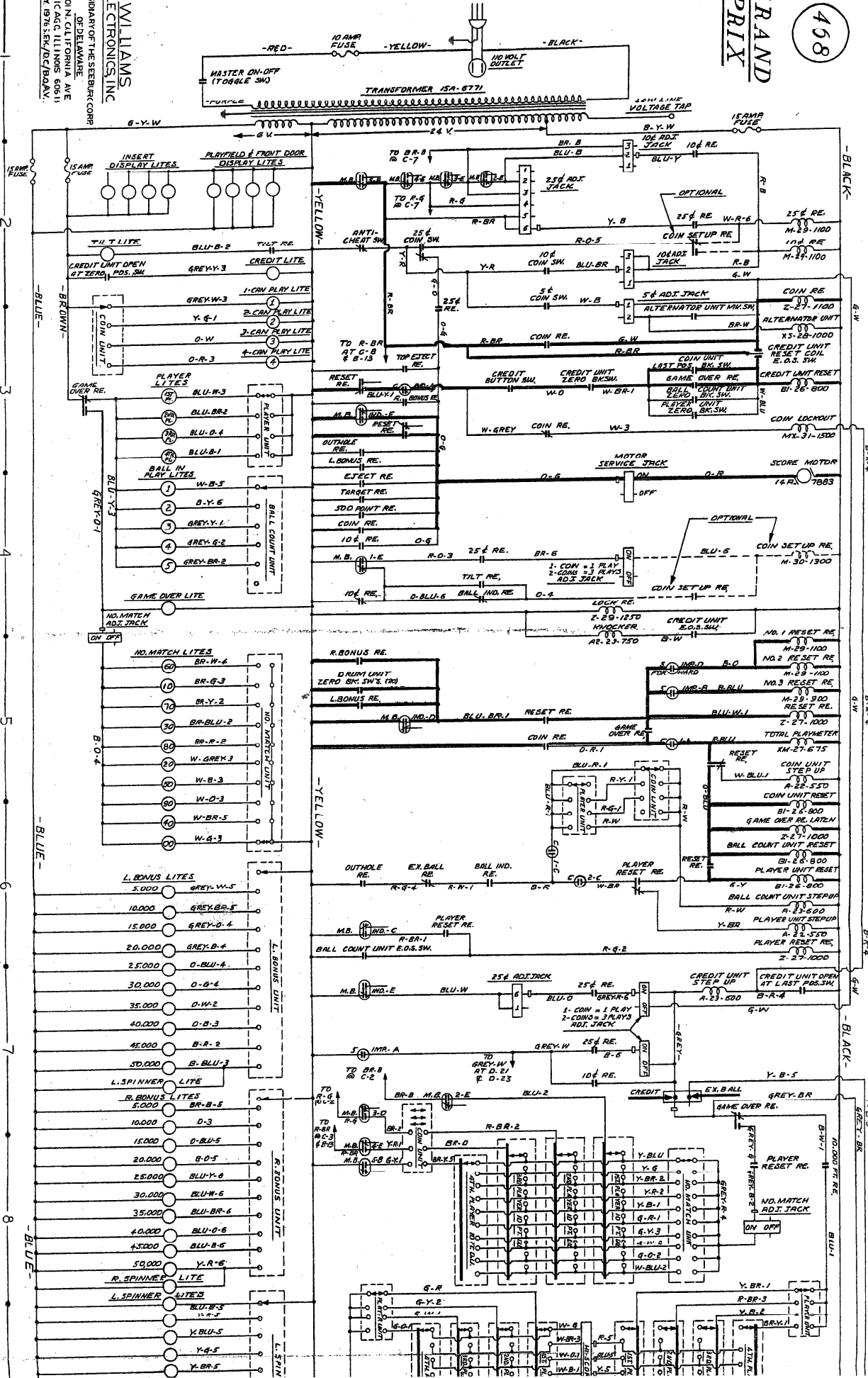
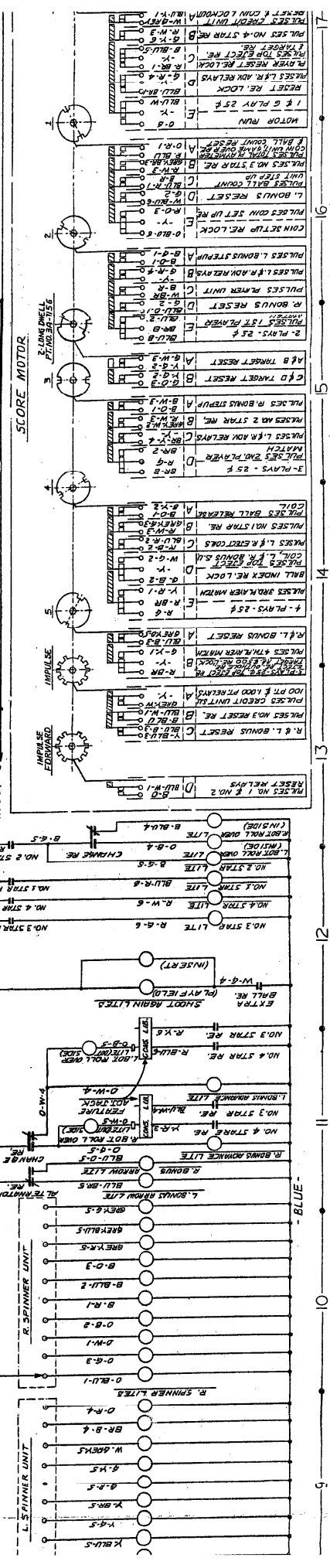
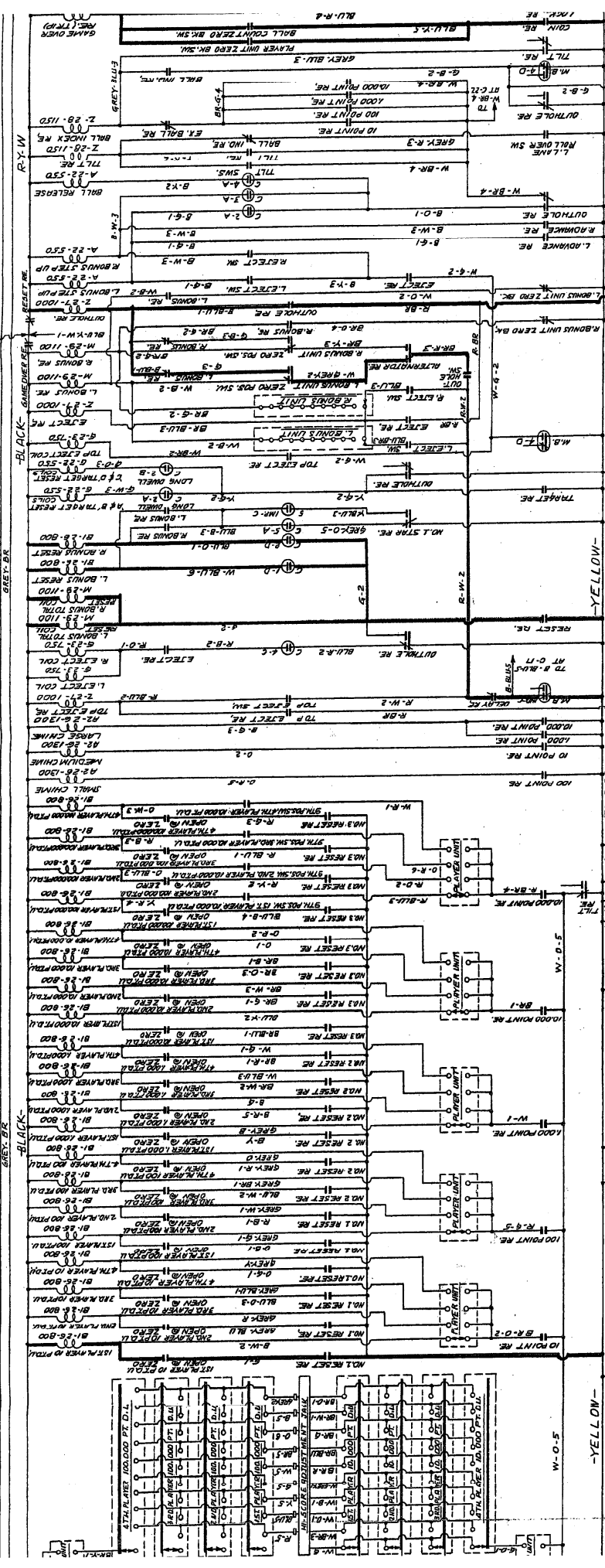


GRAND
PRIX

WILLIAMS
ELECTRONICS, INC.
A SUBSIDIARY OF THE SEEBURK CORP.
OF DELAWARE
340 N. CALIFORNIA AVE.
CHICAGO, ILLINOIS 60611
MAY 1976 5K/R/C/BD/AV.



BLU-Y-W-1 TO A-24



Y-B-E
GREY-BK

BLACK

GREY

YELLOW

BLUE

W-0-5

W-0-4

W-0-3

W-0-2

W-0-1

W-0-0

W-0-0

W-0-0

W-0-0

W-0-0

W-0-0

W-0-0

W-0-0

W-0-0

W-0-0

W-0-0

W-0-0

W-0-0

W-0-0

W-0-0

W-0-0

W-0-0

W-0-0

W-0-0

W-0-0

W-0-0

W-0-0

W-0-0

W-0-0

W-0-0

W-0-0

W-0-0

W-0-0

W-0-0

W-0-0

W-0-0

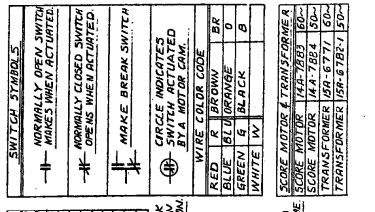
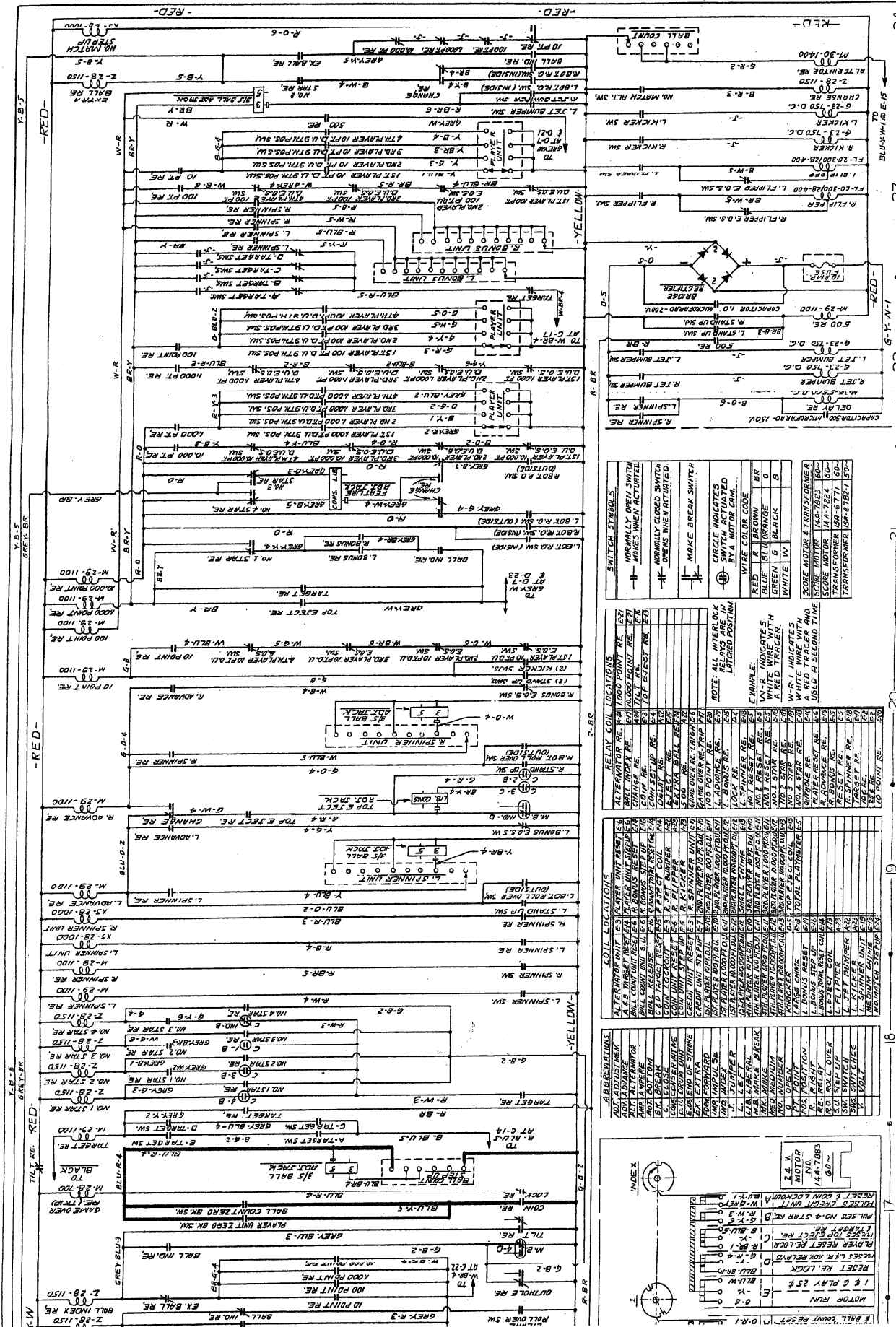
W-0-0

W-0-0

W-0-0

W-0-0

GRAND PRIZ-468



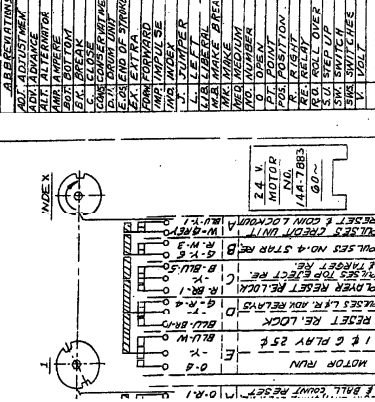
WIRE BREAK SWITCH
 NORMALLY OPEN SWITCH
 NORMALLY CLOSED SWITCH
 MAKE BREAK SWITCH
 CIRCLE INDICATES RELAYS ARE IN LITTED POSITION

RELAY COIL LOCATIONS

ALTERNATOR RE. W. 1000 POINT RE.
BALL UNDER RE. W. 1000 POINT RE.
CHANGE RE. W. 1000 POINT RE.
DELTA RE. W. 1000 POINT RE.
DELTA RE. W. 1000 POINT RE.
DELTA RE. W. 1000 POINT RE.
DELTA RE. W. 1000 POINT RE.
DELTA RE. W. 1000 POINT RE.
DELTA RE. W. 1000 POINT RE.
DELTA RE. W. 1000 POINT RE.
DELTA RE. W. 1000 POINT RE.
DELTA RE. W. 1000 POINT RE.
DELTA RE. W. 1000 POINT RE.
DELTA RE. W. 1000 POINT RE.
DELTA RE. W. 1000 POINT RE.
DELTA RE. W. 1000 POINT RE.
DELTA RE. W. 1000 POINT RE.
DELTA RE. W. 1000 POINT RE.

COIL LOCATIONS

ALTERNATOR UNIT TEST/ALTER UNIT RESET
ALTERNATOR UNIT TEST/ALTER UNIT RESET
ALTERNATOR UNIT TEST/ALTER UNIT RESET
ALTERNATOR UNIT TEST/ALTER UNIT RESET
ALTERNATOR UNIT TEST/ALTER UNIT RESET
ALTERNATOR UNIT TEST/ALTER UNIT RESET
ALTERNATOR UNIT TEST/ALTER UNIT RESET
ALTERNATOR UNIT TEST/ALTER UNIT RESET
ALTERNATOR UNIT TEST/ALTER UNIT RESET
ALTERNATOR UNIT TEST/ALTER UNIT RESET
ALTERNATOR UNIT TEST/ALTER UNIT RESET
ALTERNATOR UNIT TEST/ALTER UNIT RESET
ALTERNATOR UNIT TEST/ALTER UNIT RESET
ALTERNATOR UNIT TEST/ALTER UNIT RESET
ALTERNATOR UNIT TEST/ALTER UNIT RESET
ALTERNATOR UNIT TEST/ALTER UNIT RESET



24
 23
 22
 21
 20
 19
 18
 17
 16
 15
 14
 13
 12
 11
 10
 9
 8
 7
 6
 5
 4
 3
 2
 1
 0

WILLIAMS ELECTRONICS, INC.
 A SUBSIDIARY OF THE SEEBURG CORP.
 OF DELAWARE
 CHICAGO, ILLINOIS - 60618

"GRAND PRIX"
L. & R. KICKER SCHEMATIC
CORRECTION

